

LOW HEADROOM ADJUSTABLE TOP FIXTURES THIS IS FOR 9000 SERIES PLATFORMS ONLY

Supplemental insert

©Copyright 2011 Wayne-Dalton, a Division Of Overhead Door Corporation

Part No. 344726

REV2 08/09/2011

This supplemental installation instruction is to be used as a supplement to the main Installation Instruction and Owner's Manual provided with the door. The instructions included in this document are ONLY those which deviate from the standard installation. All WARNINGS and CAUTIONS listed in the main manual are applicable to this supplemental instruction as well.

www.Wayne-Dalton.com

INSTALLATION

IMPORTANT: PAY CLOSE ATTENTION TO THE ORDER IN WHICH THE FASTENERS MUST BE INSTALLED BEFORE INSTALLING THE LOW HEADROOM TOP FIXTURE ASSEMBLIES.

1

Low Headroom Top Fixture

Identify the low-headroom top fixture assemblies provided with your door (**A** or **B**). Push the top section of door out against the jamb until the section is parallel with the other sections of the door. Starting with the left hand side, align the edge of top fixture with the edge of section.

NOTE: When installing the top fixtures, the top section must be vertically aligned with the rest of the sections from the side view. If needed reposition top fixture(s) to achieve vertical alignment.

NOTE: In some cases, the top fixture slide may be reversed from the factory, as shown in FIG. 1.6.

FOR LOW HEADROOM TOP FIXTURE (A) OR (B):

NOTE: The LHR top fixture comes pre-assembled, as shown in FIG. 1.2 or FIG. 1.3. Locate the edge of the top section and seat the top fixture on male part of the top section, as shown in FIG. 1.1.

Attach the top fixture to the top section (A):

1. First attach one 1/4"-20 x 11/16" self-drilling screw to the top fixture assembly.
2. Second attach two 1/4"-20 x 11/16" self-drilling screws to the top fixture assembly.
3. Third attach two more #12 x 1/2" phillips head screws on the opposite side of top fixture assembly.

Insert a roller into the top fixture slide, as shown in FIG. 1.2. Repeat the same process for the other side.

Attach the top fixture to the top section (B):

1. First attach one 1/4" - 14 x 5/8" self-tapping screw to the top fixture assembly.
2. Second attach two 1/4"-20 x 11/16" self-drilling screws to the top fixture assembly.
3. Third attach two more #12 x 1/2" phillips head screws on the opposite side of top fixture assembly.

Insert a roller into the top fixture slide, as shown in FIG. 1.3. Repeat the same process for the other side.

REVERSING THE TOP FIXTURE SLIDES (A) OR (B), IF NEEDED:

NOTE: Depending on your application, you may need to reverse the top fixture slide for more adjustment, if needed, prior to securing it to the top fixture base.

Remove the top fixture slide by removing the two 1/4" - 20 x 5/8" carriage bolts, two retention washers and two 1/4" - 20 flanged hex nuts. Flip the top fixture slide in the opposite direction. Loosely fasten the top fixture slide to the top fixture base using two 1/4" - 20 x 5/8" carriage bolts, two retention washers and two 1/4" - 20 flanged hex nuts, as shown in FIG. 1.4 or FIG. 1.5.

NOTE: The retention washers must be fully seated against the top fixture base to ensure the anti-twist feature on the top fixture slide engages in the slotted hole in the top fixture base.

WARNING

DO NOT RAISE DOOR UNTIL HORIZONTAL TRACKS ARE SECURED AT REAR, AS OUTLINED IN REAR SUPPORT INSTALLATION, OR DOOR COULD FALL FROM OVERHEAD POSITION CAUSING SEVERE OR FATAL INJURY.

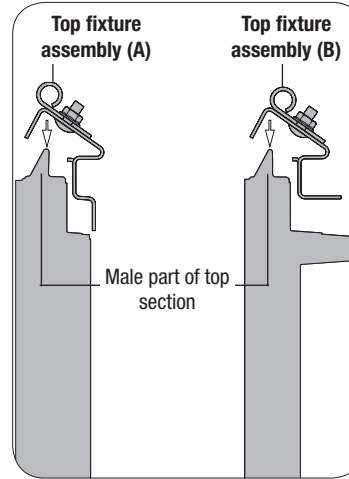


FIG. 1.1

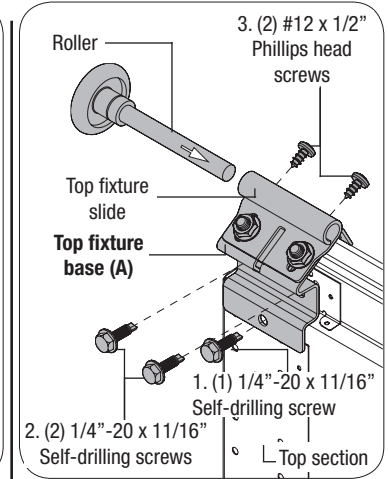


FIG. 1.2

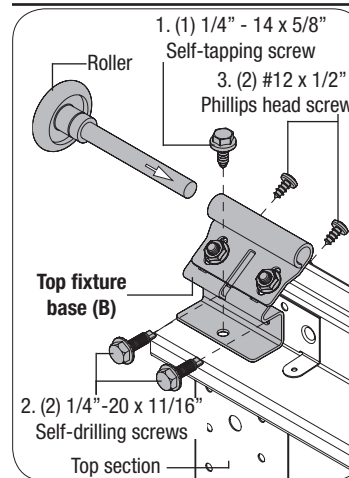


FIG. 1.3

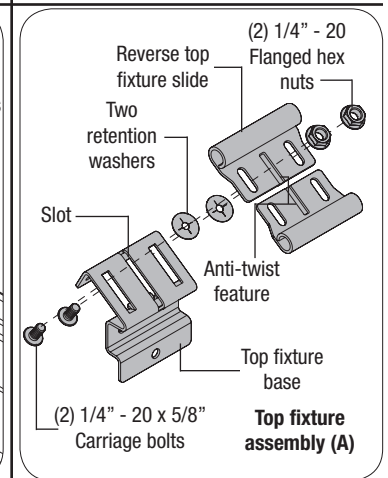


FIG. 1.4

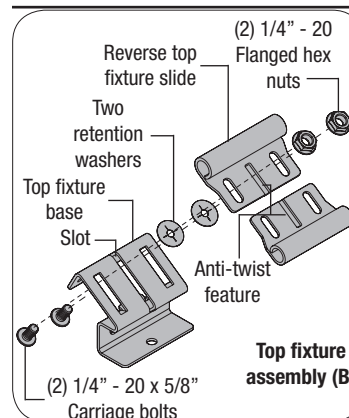


FIG. 1.5

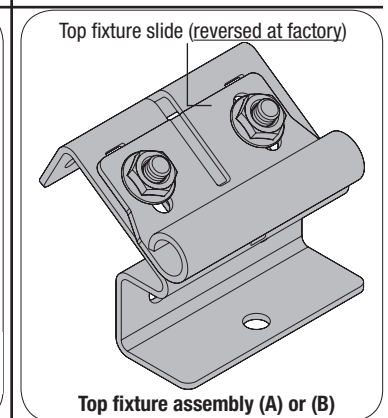


FIG. 1.6